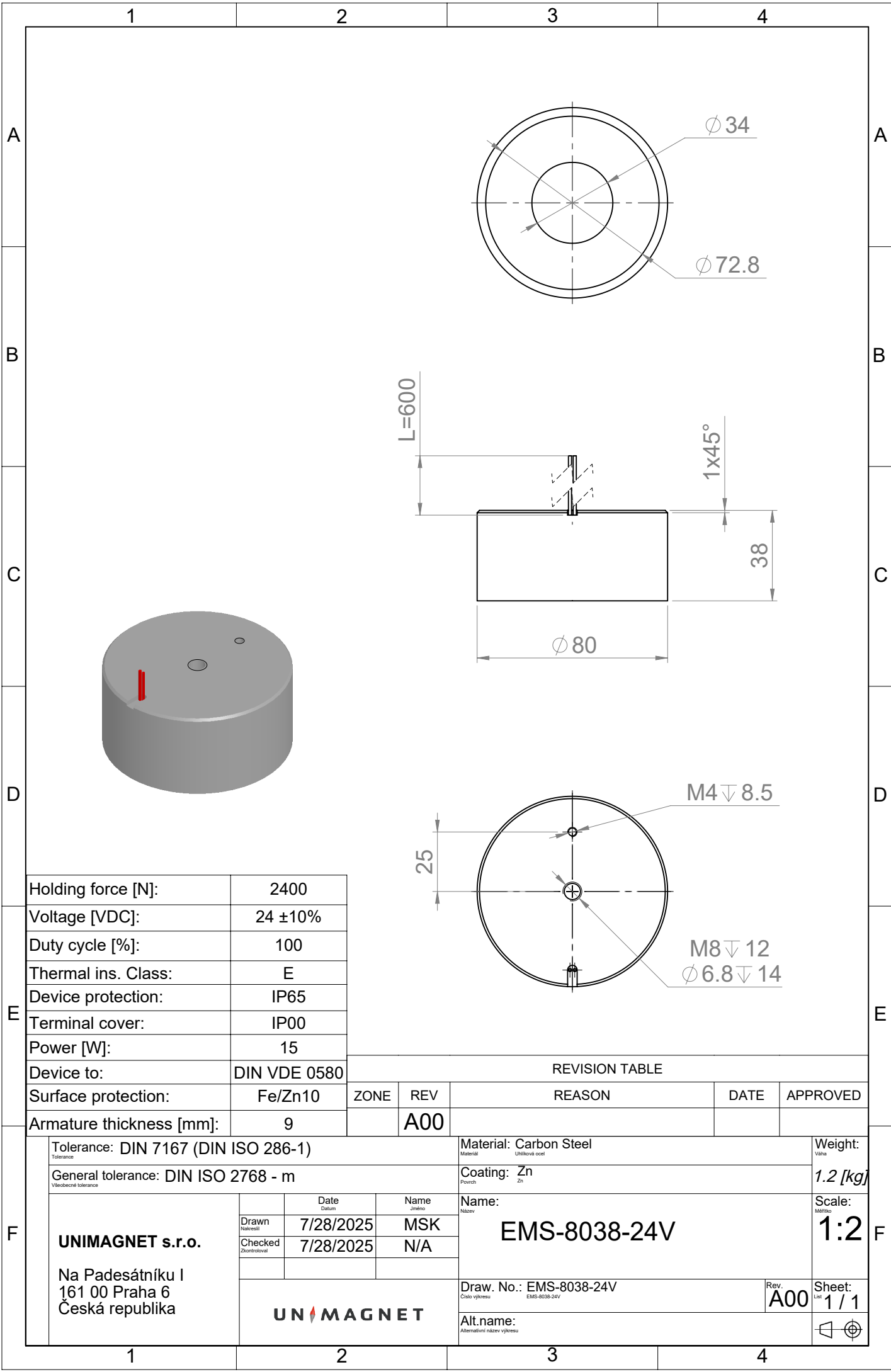


©2019 UNIMAGNET S.R.O. JAKÁKOLIV REPRODUKCE ČÁSTI NEBO CELKU BEZ SOUHLASU UNIMAGNET S.R.O. JE ZAKÁZÁNA



Holding force [N]:	2400
Voltage [VDC]:	24 ±10%
Duty cycle [%]:	100
Thermal ins. Class:	E
Device protection:	IP65
Terminal cover:	IP00
Power [W]:	15
Device to:	DIN VDE 0580
Surface protection:	Fe/Zn10
Armature thickness [mm]:	9

REVISION TABLE					
ZONE	REV	REASON	DATE	APPROVED	
	A00				

Tolerance: DIN 7167 (DIN ISO 286-1)		Material: Carbon Steel		Weight:
General tolerance: DIN ISO 2768 - m		Coating: Zn		1.2 [kg]
UNIMAGNET s.r.o. Na Padesátníku I 161 00 Praha 6 Česká republika	Drawn	Date	Name	Name: EMS-8038-24V
	Checked	7/28/2025	MSK	
		7/28/2025	N/A	
UNIMAGNET		Draw. No.: EMS-8038-24V		Scale: 1:2
		Alt.name:		Sheet: 1 / 1

